

※ Make sure to read this operating manual before use for your safety and proper use.

AUTOLIGHTING MANUAL (Motion Sensor Switch)



Rev 1.0

MODEL

- **PS-16B**
(DIRECTION ADJUSTABLE)



! Warning Especially never use it where safety and property is in risk.

- Visit our website(www.hsa2000.co.kr) and find the products you need.

 **HAN SEUNG**



- 1 -

<HOME PAGE>

1. Descriptions of parts

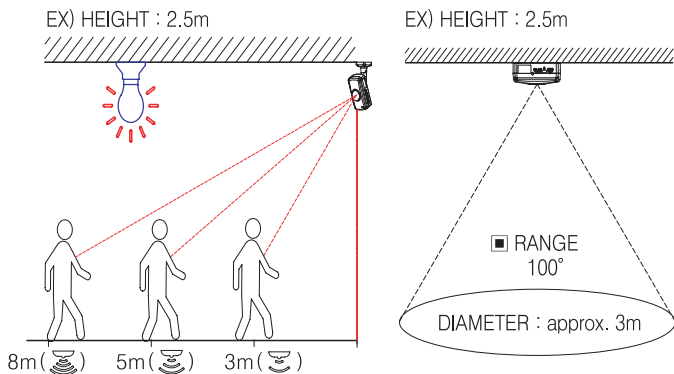


- ① **RESET** : Restart the product when malfunctioned
- ② **ILLUMINANCE SET**
 - ☀ - Sensing regardless of illuminance
 - ☁ - Sensing under 60 lux
 - ☾ - Sensing under 10 lux
 - 💡 - Manually On
- ③ **ON TIME SET** 30S-180M (go to 4. SETTING)
- ④ **SENSITIVITY SET** :
 - 📡 - High Sensitivity
 - 📡 - Normal Sensitivity
 - 📡 - Low Sensitivity

- 2 -

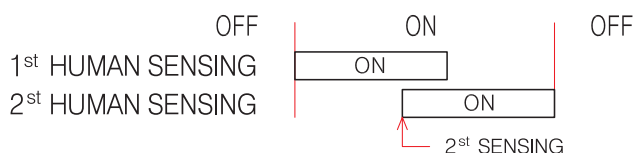
2. Operating

1) SENSING DISTANCE 2) SENSING RANGE



- ◆ OPERATING RANGE \approx INSTALLATION HEIGHT
- ◆ RECOMMENDED MAX HEIGHT = 8m

3) SWITCH ON

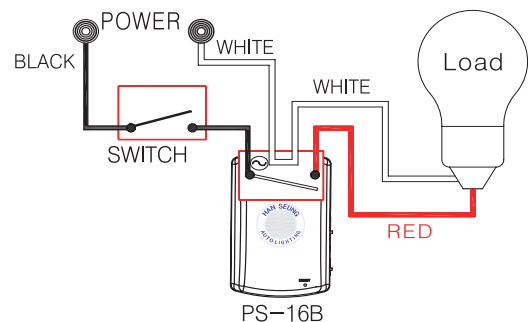


※ ON Timer (the lighting hour) Starts after last Sensing

- 3 -

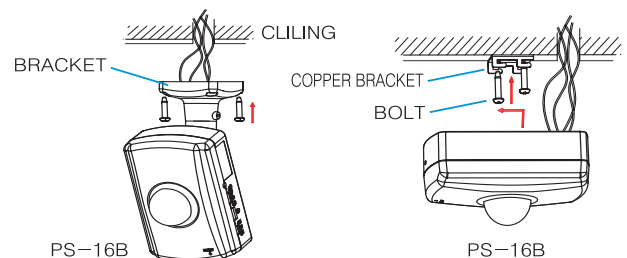
3. Installation

1) DIAGRAM



2) INSTALL

- 1) Switch off while installing
- 2) Connect wires
- 3) Fix bracket on the ceiling with bolt
- 4) Adjust direction product facing
- 5) Supply electrical power (1sec blink means normal)



- 4 -

4. Setting

SETTING TIME	
30 S	30M
1M	40M
3M	50M
5M	60M
10M	90M
15M	120M
20M	150M
25M	180M

- 5 -

5. Specifications

AUTOLIGHTING (MOTION SENSOR SWITCH)	
MODEL	PS-16B
SENSING DISTANCE	10cm < DISTANCE < 8m
SENSING ANGLE	100° (DIRECTION ADJUSTABLE)
RATED VOLTAGE	110~220VAC, 50/60Hz
RATED CURRENT	16A(3A)
CURRENT CONSUMPTION	LESS THAN 1W
OUTPUT	Voltage Output Type
DIMENSION	75mm X 118mm X 46mm

※ Do not directly connect electric heater and the motor load. Use magnetic connector for connection.

※ Use under 80% of the rated load for long lifetime use without malfunction.

- 6 -

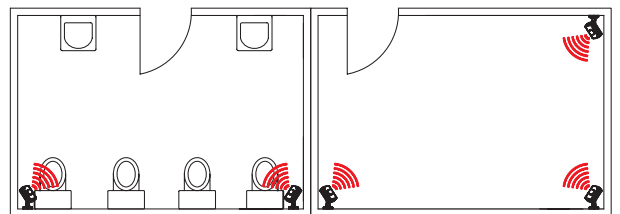
6. Caution

- 1) Thank you purchasing this product.
- 2) Install this product indoors where it is not damped and where proper ventilation is possible. It is not usable where it is exposed directly to water.
- 3) Avoid wet, humid place for safe installation.
- 4) The manufacturer is not responsible for problems caused by customer negligence when modified or disassembled by the customer.
- 5) Make sure to attach additional magnetic contactor when load capacity is higher than rated capacity.
- 6) Strong light and high temperature from Halogen lamp, Sun light or heater may cause malfunction.
- 7) In case of fluorescent lamp, set the time longer than 10" for the durability of lamp.
- 8) Arrange safety net such as duplex circuit, if loss of wealth is expected when product malfunctions.

- 7 -

7. Position of Installation

● INSTALL EXAMPLE



8. Warranty

- 1) The manufacturer will repair free of charge when contacted within 18 months from manufactured date in case of malfunctions during normal operation or manufacturing defects.
- 2) Exception: Customer will be charged for repairs within warranty period in case of following conditions.

Charged Customer Service

- 1) After warranty period.
- 2) Malfunction or damage caused by customer negligence.
- 3) Malfunction caused by improper handling.
- 4) Malfunction caused by natural disasters.
- 5) Product repaired and modified or damaged by other than the employee of the manufacturer.



HADE OFFICE : 123, Sinpyeong-ro, Dong-gu, Daegu, Korea
 TEL : 82-53-745-4721 FAX : 82-53-745-4726
 www.hsa2000.co.kr

- 8 -